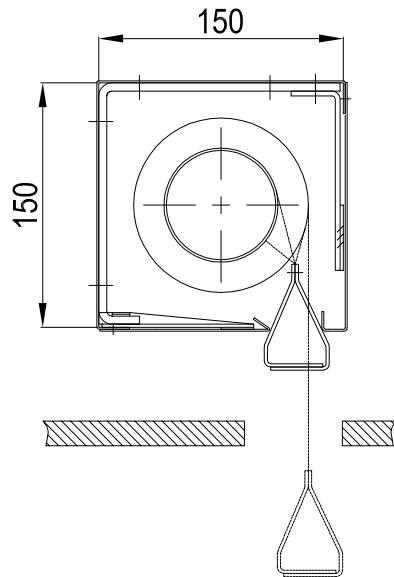


SMOKESTOP SMOKE CURTAIN STANDARD HEAD BOXING (VARIOSPEED 6.0)

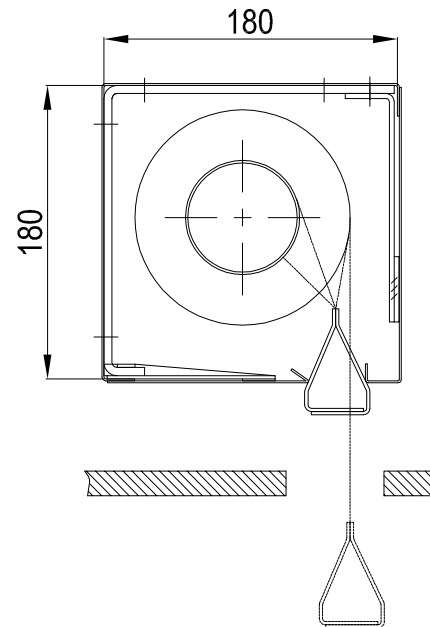
SINGLE ROLLER UNITS

SS 15/15



Maximum Width - 5 metres*
Maximum Drop - 5 metres

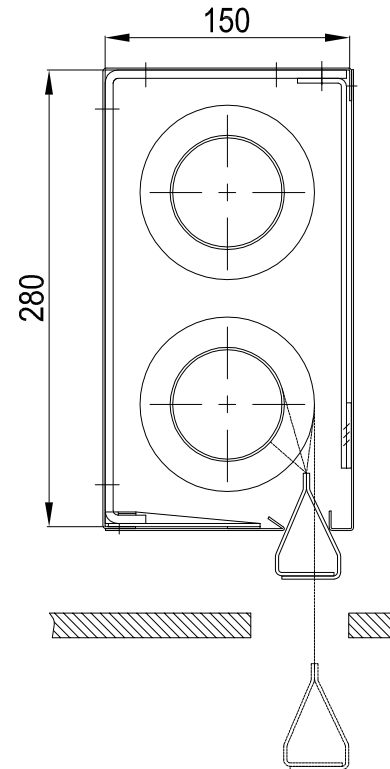
SS 18/18



Maximum Width - 5 metres*
Maximum Drop - 10 metres

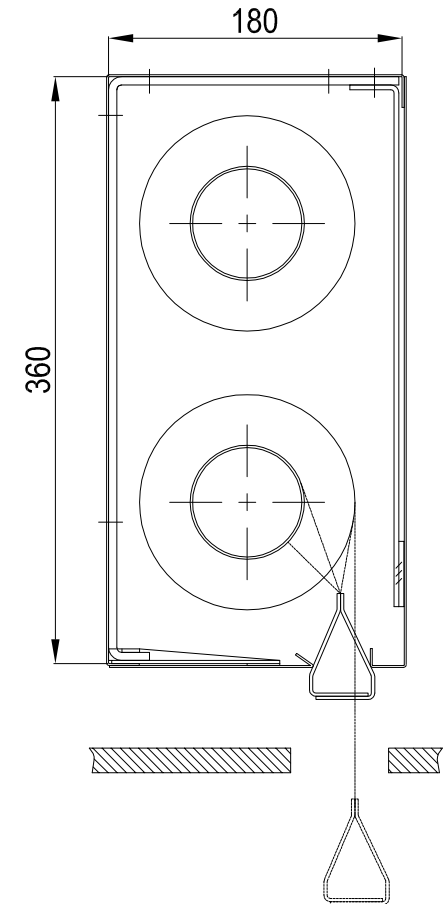
MULTIPLE ROLLER UNITS

SS 15/28



Maximum Width - 200 metres*
Maximum Drop - 5 metres

SS 18/36



Maximum Width - 200 metres*
Maximum Drop - 10 metres

Coopers
Form 6 Standard

Tel: +44 (0)23 9245 4405
Fax: +44 (0)23 9249 2732

Edward House, Penner Road,
Havant, Hants. PO9 1QZ
Email: info@coopers-uk.com
Web: www.coopers-uk.com

Coopers Blinds Limited
Koolshade (UK) Limited
FireMaster Limited
are Cooper Group Companies

DRAWN:
J.REED

CHECKED:
R.KERRY

APPROVED:
R.KERRY

TITLE: SMOKESTOP STANDARD CURTAIN
HEAD BOX CONFIGURATION

© COOPER GROUP LIMITED 1997.
ALL RIGHTS RESERVED. THIS DESIGN MAY NOT BE
REPRODUCED IN ANY MATERIAL FORM, INCLUDING
ELECTRONICALLY WITHOUT THE WRITTEN PERMISSION OF
THE COPYRIGHT NAMES

DRG No.
606/223/LEZP

ALL DIMENSIONS IN MILLIMETERS

ISSUE: B
DATE: 29/10/07

*Standard Width