

Multiple Jet Controls, Single Inlet, Single Outlet

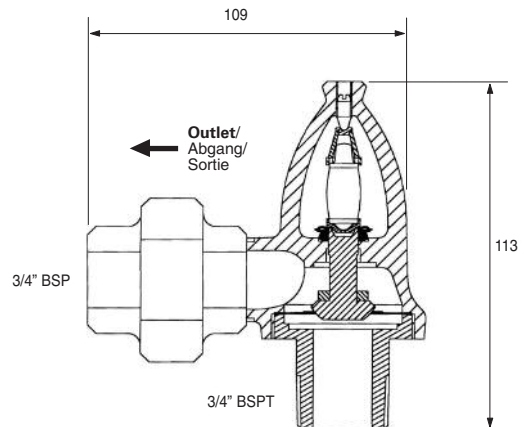
D Steuersprinkler, Einzel-Eingang, Einzel-Ausgang

F Clapets Pilotes, Simple Entrée / Sortie

1



Kg 1.50 kg



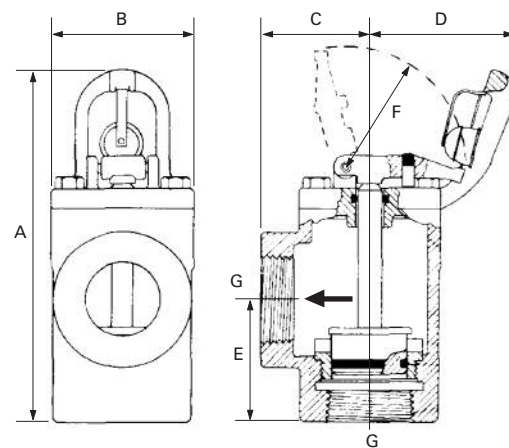
MJCS

Art. Nr.	T °C [°F]	LPGB
MJCS00027B	68 [155]	√
MJCS00027D	79 [175]	√
MJCS00027E	93 [200]	√
MJCS00027G	141 [286]	√
MJCS00027H	182 [360]	√
MJCS00027I	227 [440]	√
MJCS00027J	260 [500]	√



TD150

Kg 1.50 kg



F430

Art. Nr.	T °C [°F]	G [NPT] "	A mm	B mm	C mm	D mm	E mm	F mm	o Kg	FM	UL
520101005	74 [165]	1	177.8	69.9	53.8	73.2	63.5	58.7	3.0	√	√
520101006	100 [212]	1	177.8	69.9	53.8	73.2	63.5	58.7	3.0	√	√
520101001	74 [165]	1.1/2	177.8	69.9	53.8	73.2	63.5	58.7	4.0	√	√
520101002	100 [212]	1.1/2	177.8	69.9	53.8	73.2	63.5	58.7	4.0	√	√

TYCEGFFP-01/06 Tyco reserves the right to change the contents without notice

Multiple Jet Controls, Single Inlet, Double Outlet

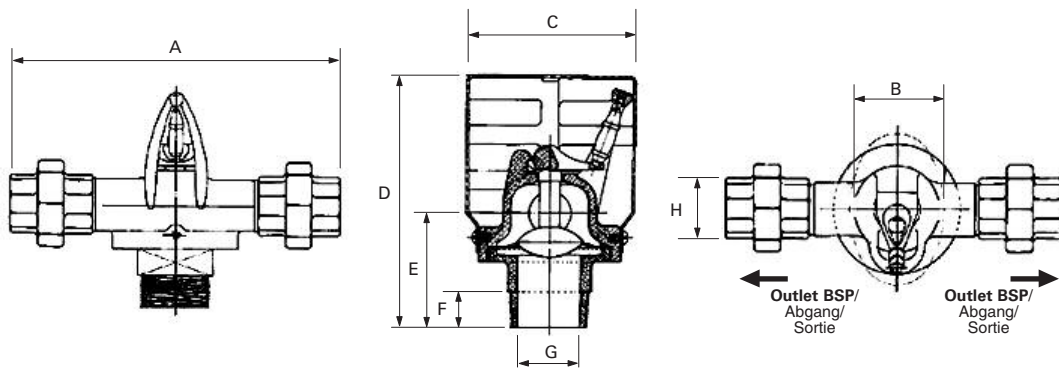
D Steuersprinkler, Einzel-Eingang, Doppel-Ausgang

F Clapets Pilotes, Simple Entrée, Double Sortie



Kg 1.50 kg

MJCD



DN20-DN40: Male/Aussengewinde.Mâle
DN50: Female/Innengewinde/Femelle

Art. Nr.	T °C [°F]	A mm	B mm	C mm	D mm	E mm	F mm	G DN	H DN	LPCB
MJCDO0027B	68 [155]	165	-	-	110	50	20	20 3/4"	20 3/4"	√
MJCDO0027D	79 [175]	165	-	-	110	50	20	20 3/4"	20 3/4"	√
MJCDO0027E	93 [200]	165	-	-	110	50	20	20 3/4"	20 3/4"	√
MJCDO0027G	141 [286]	165	-	-	110	50	20	20 3/4"	20 3/4"	√
MJCDO0027H	182 [360]	165	-	-	110	50	20	20 3/4"	20 3/4"	√
MJCDO0027I	227 [440]	165	-	-	110	50	20	20 3/4"	20 3/4"	√
MJCDO0027J	260 [500]	165	-	-	110	50	20	20 3/4"	20 3/4"	√
MJCDO0034B	68 [155]	196	67	105	148	60	23	25 1"	25 1"	√
MJCDO0034D	79 [175]	196	67	105	148	60	23	25 1"	25 1"	√
MJCDO0034E	93 [200]	196	67	105	148	60	23	25 1"	25 1"	√
MJCDO0034G	141 [286]	196	67	105	148	60	23	25 1"	25 1"	√
MJCDO0034H	182 [360]	196	67	105	148	60	23	25 1"	25 1"	√
MJCDO0034I	227 [440]	196	67	105	148	60	23	25 1"	25 1"	√
MJCDO0034J	260 [500]	196	67	105	148	60	23	25 1"	25 1"	√
MJCDO0048B	68 [155]	230	67	107	165	70	25	40 1.1/2"	25 1"	√
MJCDO0048D	79 [175]	230	67	107	165	70	25	40 1.1/2"	25 1"	√
MJCDO0048E	93 [200]	230	67	107	165	70	25	40 1.1/2"	25 1"	√
MJCDO0048G	141 [286]	230	67	107	165	70	25	40 1.1/2"	25 1"	√
MJCDO0048H	182 [360]	230	67	107	165	70	25	40 1.1/2"	25 1"	√
MJCDO0048I	227 [440]	230	67	107	165	70	25	40 1.1/2"	25 1"	√
MJCDO0048J	260 [500]	230	67	107	165	70	25	40 1.1/2"	25 1"	√
MJCDO0060B	68 [155]	225	69	136	182	60	25	50 2"	40 1.1/2"	√
MJCDO0060D	79 [175]	225	69	136	182	60	25	50 2"	40 1.1/2"	√
MJCDO0060E	93 [200]	225	69	136	182	60	25	50 2"	40 1.1/2"	√
MJCDO0060G	141 [286]	225	69	136	182	60	25	50 2"	40 1.1/2"	√
MJCDO0060H	182 [360]	225	69	136	182	60	25	50 2"	40 1.1/2"	√
MJCDO0060I	227 [440]	225	69	136	182	60	25	50 2"	40 1.1/2"	√
MJCDO0060J	260 [500]	225	69	136	182	60	25	50 2"	40 1.1/2"	√

TYCEGFFP-01/06 Tyco reserves the right to change the contents without notice

Multiple Jet Controls, Double Inlet, Single Outlet

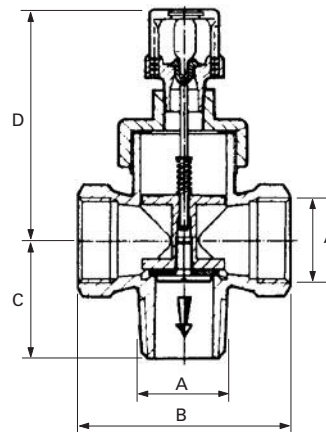
D Steuersprinkler, Doppel-Eingang, Einzel-Ausgang

F Clapets Pilotes, Double Entrée, Simple Sortie

1



Kg 1.50 kg



Art. Nr.	T °C [°F]	A [BSP] "	Equivalent Length Äquivalente Länge Longueur équivalente	B mm	C mm	D mm	VDS
2122206	68 [155]	1.1/4	1.8 m	105	58	110	√

TYCEGFFP-01/06 Tyco reserves the right to change the contents without notice