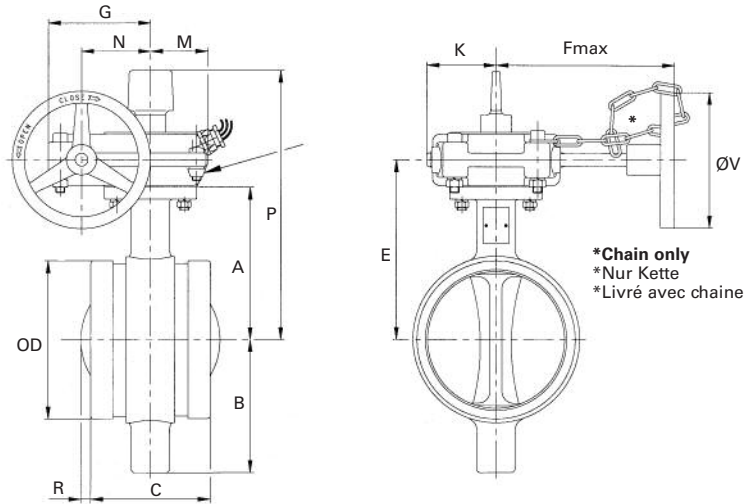
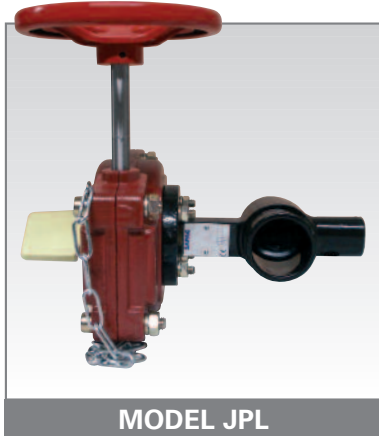


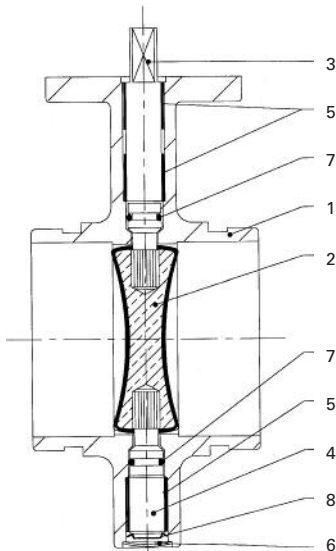
- D** Absperrarmaturen, Absperrklappe
- F** Vannes d'Arrêt, Vannes Papillon FM



### Model JPL • Grooved Ends/Geriefeter Anschluß/Raccordement Rainuré

Art. Nr. with Switch mit Schalter avec Contact	Art. Nr. without Switch ohne Schalter sans Contact	DN	O.D. mm	A mm	B mm	C mm	E mm	F mm	G mm	K mm	M mm	N mm	P mm	ØV mm	kg	CE	VDS	LPCB	FM	UL	PAVUS	T/S/U	BM OKF	WRC	
39109SC060	39109S060	50	2"	60.3	100	77.5	81	130	208	111	75	60	75	227	150	8.4	✓	✓	✓	✓	✓	✓	✓	✓	✓
39109SC073	39109S073	65	2.1/2"	73.0	105	82	97	135	208	111	75	60	75	232	150	9.5	✓	✓	✓	✓	✓	✓	✓	✓	✓
39109SC076	39109S076	65	2.1/2"	76.1	105	82	97	135	208	111	75	60	75	232	150	9.5	✓	✓	✓	✓	✓	✓	✓	✓	✓
39109SC089	39109S089	80	3"	88.9	112	90	97	142	208	111	75	60	75	232	150	9.9	✓	✓	✓	✓	✓	✓	✓	✓	✓
39109SC114	39109S114	100	4"	114.3	135	107	116	165	208	111	75	60	75	239	150	11.6	✓	✓	✓	✓	✓	✓	✓	✓	✓
39109SC139	39109S139	125	5"	139.7	147	121	148	177	208	111	75	60	75	262	150	14.8	✓	✓	✓	✓	✓	✓	✓	✓	✓
39109SC141	39109S141	125	5"	141.3	147	121	148	177	208	111	75	60	75	262	150	14.8	✓	✓	✓	✓	✓	✓	✓	✓	✓
39109SC165	39109S165	150	6"	165.1	180	150	148	210	215	111	75	60	75	274	225	18.2	✓	✓	✓	✓	✓	✓	✓	✓	✓
39109SC168	39109S168	150	6"	168.3	180	150	148	210	215	111	75	60	75	274	225	18.2	✓	✓	✓	✓	✓	✓	✓	✓	✓
39109SC219	39109S219	200	8"	219.1	204	172	133	234	215	111	75	60	75	274	225	20.5	✓	✓	✓	✓	✓	✓	✓	✓	✓
39109SC273	39109S273	250	10"	273.0	250	233	159	301	276	179	138	104	132	307	300	46.3	✓	✓	✓	✓	✓	✓	✓	✓	✓
39109SC324	39109S324	300	12"	323.9	275	258	165	326	276	179	138	104	132	307	300	55.0	✓	✓	✓	✓	✓	✓	✓	✓	✓

Max. 12.1 Bar [175 Psi]



### Parts List/Bauteil-Spezifikation/Caractéristiques Techniques

Nr.	Description Umschreibung Description	Material Material Matériau
1	Body/Gehäuse/Corps	Ductile Iron/Duktiler Guß/Fonte ductile FGS400.18
2	Disc/Klappe/Papillon	Ductile Iron/EPDM/Dukt. Guß/EPDM/Fonte ductile revêtue EPDM
3	Control Shaft/Antriebswelle/Arbre	Stainless Steel/Edelstahl/Acier inox. Z20C13
4	Spindle/Spindel/Axe	Stainless Steel/Edelstahl/Acier inox. Z20C13
5	Bushing/Buchse/Paliers auto-lubrifiants	PTFE bronze sintered on steel/PTFE/Bronze gesintert a. Stahl/Bronze fritté avec PTFE sur acier étamé
6	Retainer plug/Haltestopfen/Bouchon de protection	Plated steel/Stahl/Acier zingué
7	O-ring/O-Ring/Joint O-ring	Nitrile NBR/Nitril NBR/Nitrile NBR
8	Locking ring/Haltering/Anneau dentelé	Spring steel/Federstahl/Acier à ressort

TYCEGFFP-01/06 Tyco reserves the right to change the contents without notice